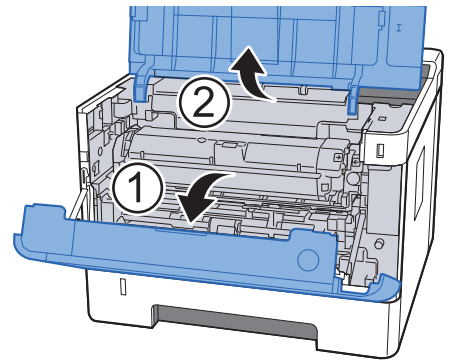
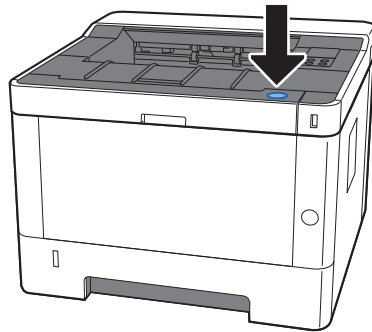
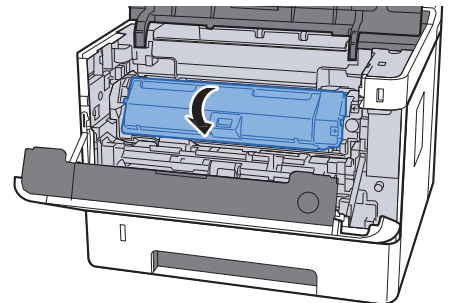
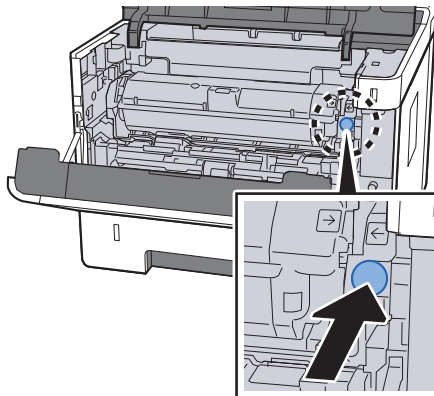


Replacing the Toner Container

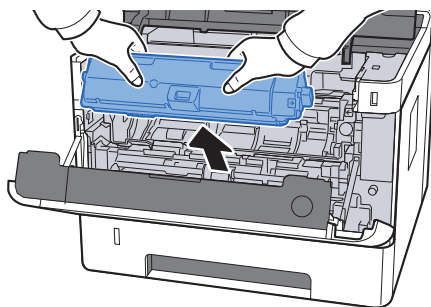
1 Open the front cover.



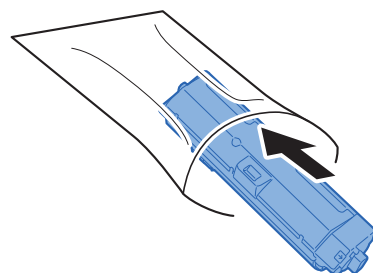
2 Unlock the toner container.



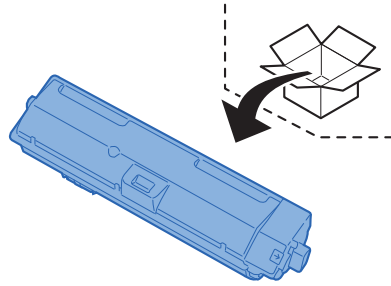
3 Remove the toner container.



4 Put used toner containers into the plastic waste bag.

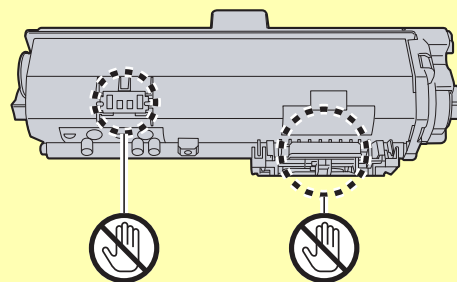


5 Remove the new toner container from the box.

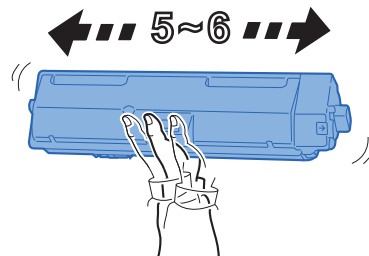


✔ IMPORTANT

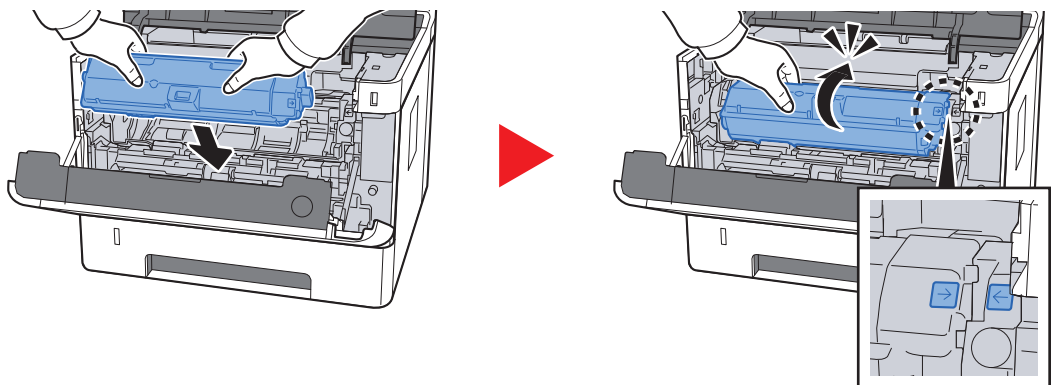
Do not touch the points shown below.



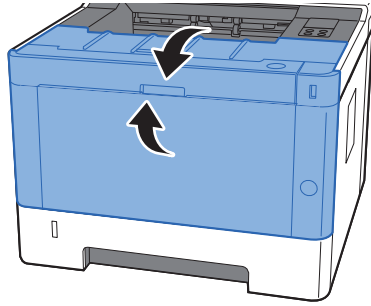
6 Shake the toner container.



7 Install the toner container.



8 Close the front cover.



NOTE

- If the front cover does not close, check that the new toner container is installed correctly.
- Return the exhausted toner container to your dealer or service representative. The collected toner container will be recycled or disposed in accordance with the relevant regulations.

Loading Paper

When Cassette # runs out of paper, the **[Paper]** indicator blinks.

- ➔ [Loading in the Cassettes \(page 3-4\)](#)
- [Loading Paper in the Multipurpose Tray \(page 5-2\)](#)